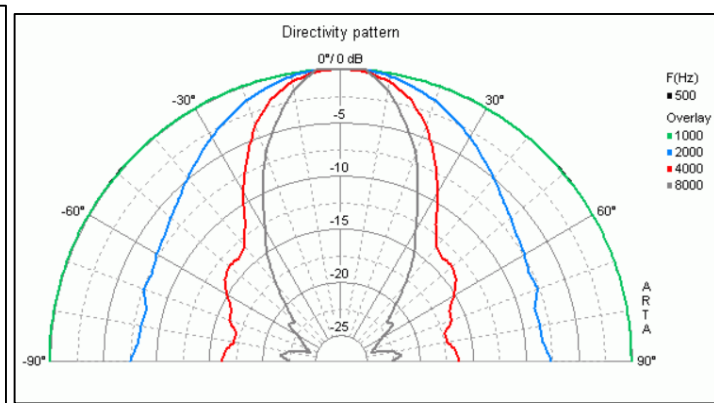
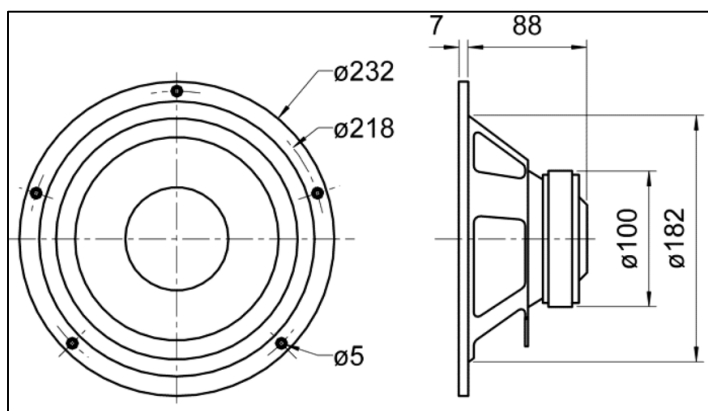


W 200 S - 4 Ohm

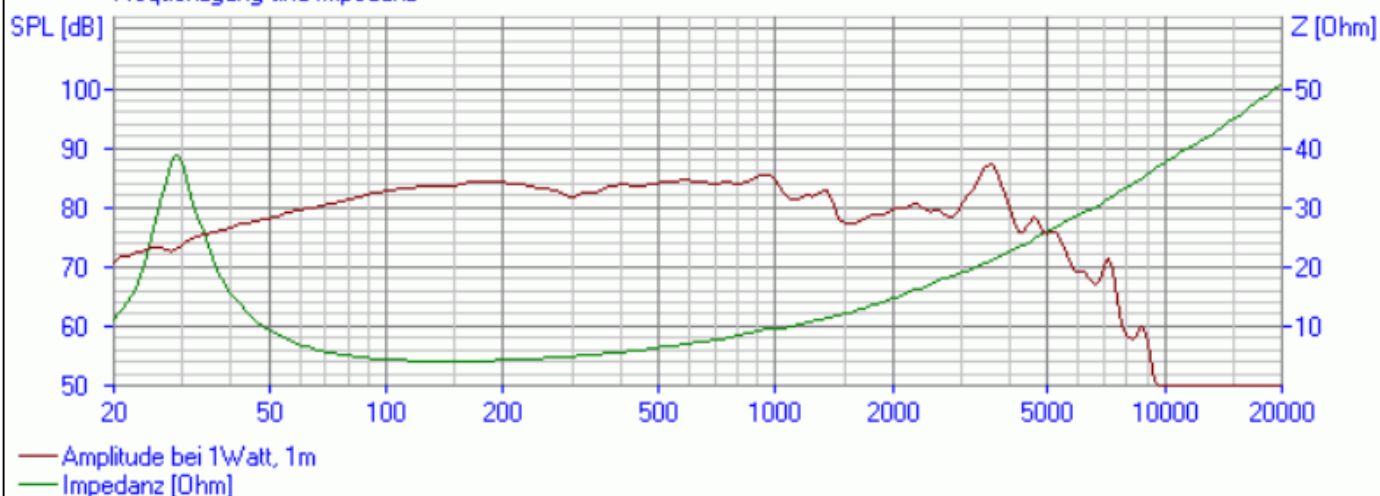


20 cm (8") HiFi woofer with strong drive, extended rear pole plate and 35 mm voice-coil for high power handling. Elastic rubber surround and coated paper cone.



Visaton W 200 S - 4 Ohm

Frequenzgang und Impedanz



Technical Data

Rated power	75 W
Maximum power	115 W
Nominal impedance Z	4 Ohm
Frequency response	fu–6000 Hz
(fu: Lower cut-off frequency depending on cabinet)	.
Mean sound pressure level	88 dB (1 W/1 m)
Opening angle (-6 dB)	48°/4000 Hz
Excursion limit	+/-10 mm
Resonance frequency fs	29 Hz
Magnetic induction	1.1 T
Magnetic flux	600 μWb
Height of front pole-plate	5 mm
Voice coil diameter	35 mm
Height of winding	12 mm
Cutout diameter	184 mm
Net weight	1.5 kg
D.C. resistance Rdc	3.4 Ohm
Mechanical Q factor Qms	3.99
Electrical Q factor Qes	0.38
Total Q factor Qts	0.35
Equivalent volume Vas	65 l
Effective piston area Sd	214 cm²
Dynamically moved mass Mms	28 g
Force factor Bxl	7.7 Tm
Inductance of the voice coil L	1.5 mH

Recommended cabinets

Volume/Principle	BR-Channel	fb	fc/QTC
15 l/closed	.	.	67 Hz/0,8
20 l/bass reflex	BR 19.24 (length 14 cm)	45 Hz	.
30 l/bass reflex	BR 19.24 (length 11 cm)	39 Hz	.
50 l/bass reflex	BR 15.34 (length 13 cm)	33 Hz	.