

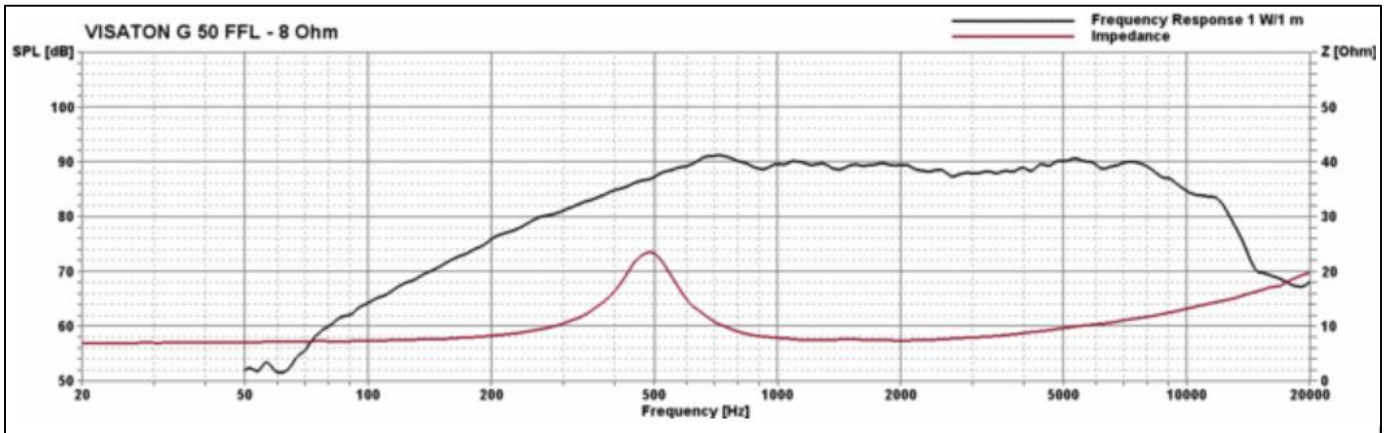
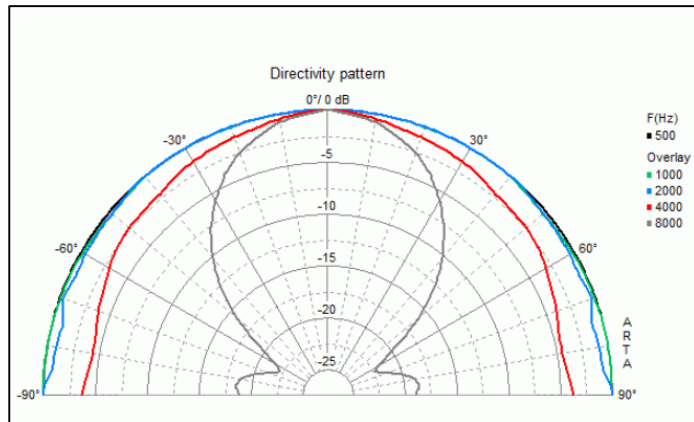
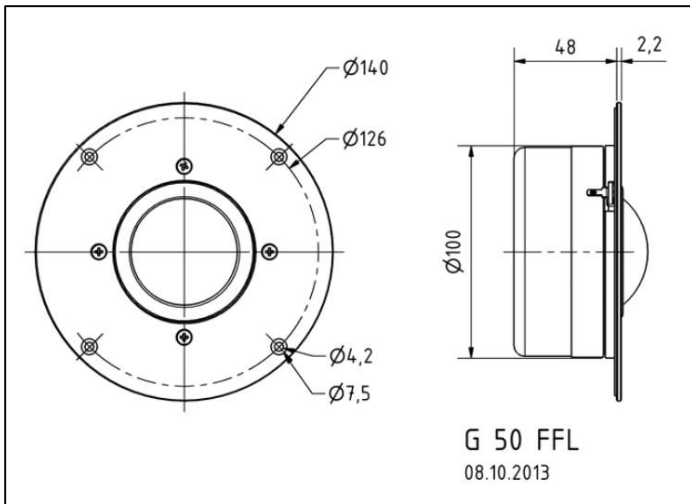
# G 50 FFL - 8 Ohm



 [Enlarge image](#)



**50 mm (2") High-End fabric dome driver** for the midrange band between 800 and 7000 Hz. Due to the optimised dome shape with damping coating in conjunction with the highly damped surround, linear frequency response and no partial oscillations. Due to the powerful magnetic drive and the ferrofluid-cooled voice-coil high efficiency and high power handling can be guaranteed.



**Technical Data**

Nominal impedance Z	8 Ohm
Frequency response	300–12000 Hz
Mean sound pressure level	90 dB (1 W/1 m)
Opening angle (-6 dB)	180°/4000 Hz
Resonance frequency $f_s$	455 Hz
Magnetic induction	1.4 T
Magnetic flux	880 $\mu$ Wb
Height of front pole-plate	3.5 mm
Voice coil diameter	50 mm
Height of winding	3 mm
Cutout diameter	106 mm
Net weight	1.0 kg
D.C. resistance $R_{dc}$	6.4 Ohm
Mechanical Q factor $Q_{ms}$	0.48
Electrical Q factor $Q_{es}$	0.67
Total Q factor $Q_{ts}$	0.28
Equivalent volume $V_{as}$	0.037 l
Effective piston area $S_d$	20 cm <sup>2</sup>
Dynamically moved mass $M_{ms}$	1.2 g
Inductance of the voice coil L	0.16 mH
Peak power handling with high pass	180 W(12 dB/Okt.; 800 Hz)
Nominal power handling with high pass	120 W(12 dB/Okt.; 800 Hz)