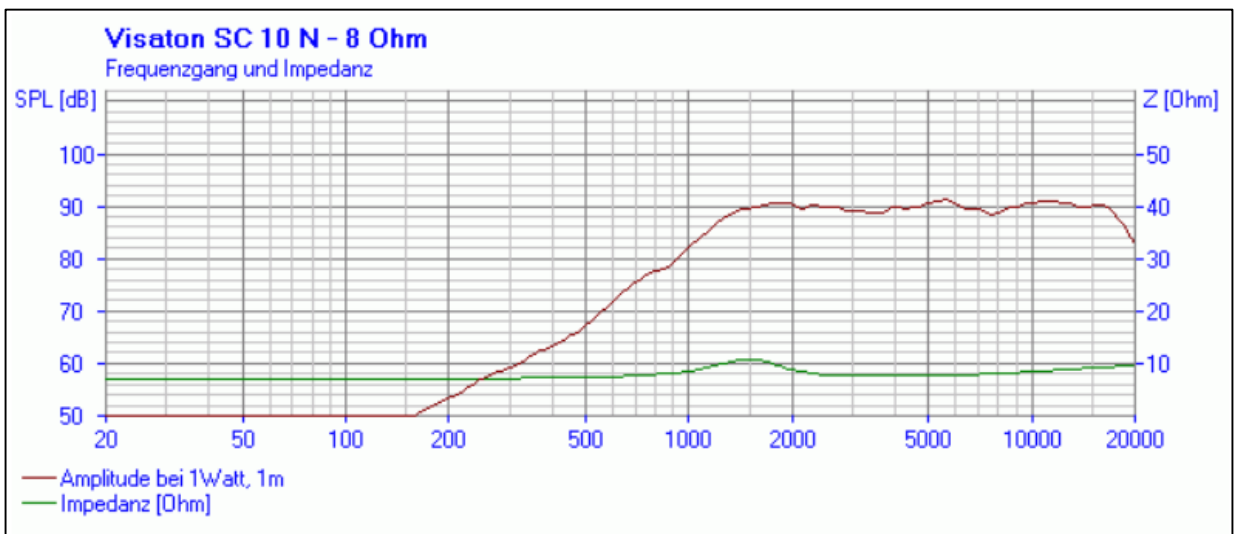
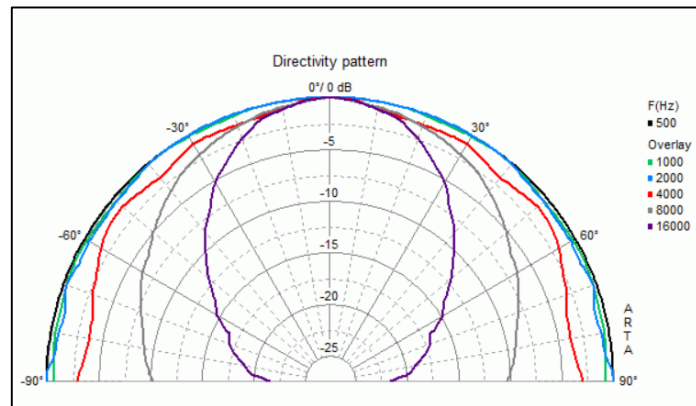
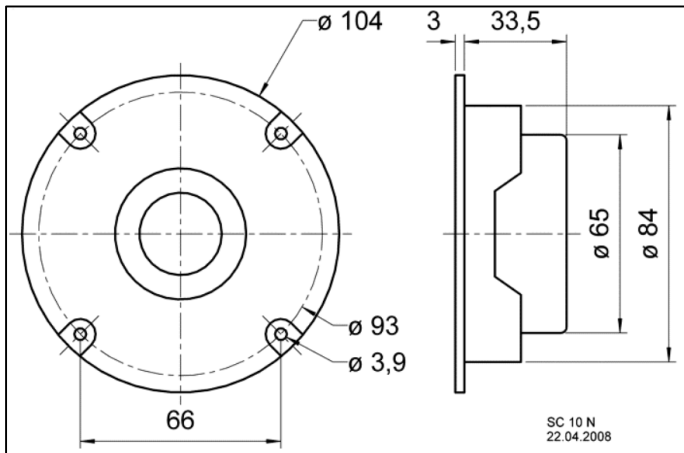


SC 10 N - 8 Ohm



[Enlarge image](#)

Magnetically shielded 25 mm (1") fabric dome driver for the highrange above 3000 Hz. Linear frequency re-sponse due to special dome coating and ferrofluid-cooled voice-coil for high power handling. Suitable for shielded medium sized 2-way combinations for surround center speakers and multi-media systems in conjunction with the shielded low-midrange driver SC 13 8 Ohm.



Technical Data

Nominal impedance Z	8 Ohm
Frequency response	1000–20000 Hz
Mean sound pressure level	90 dB (1 W/1 m)
Opening angle (-6 dB)	109°/8000 Hz
Resonance frequency f_s	1700 Hz
Magnetic induction	1.3 T
Magnetic flux	210 μ Wb
Height of front pole-plate	2.5 mm
Voice coil diameter	25 mm
Height of winding	2 mm
Cutout diameter	85 mm
Net weight	0.55 kg
D.C. resistance R_{dc}	6.9 Ohm
Effective piston area S_d	5 cm ²
Dynamically moved mass M_{ms}	0.1 g
Inductance of the voice coil L	0.04 mH
Peak power handling with high pass	150 W (12 dB/Okt.; 4000 Hz)
Nominal power handling with high pass	100 W (12 dB/Okt.; 4000 Hz)