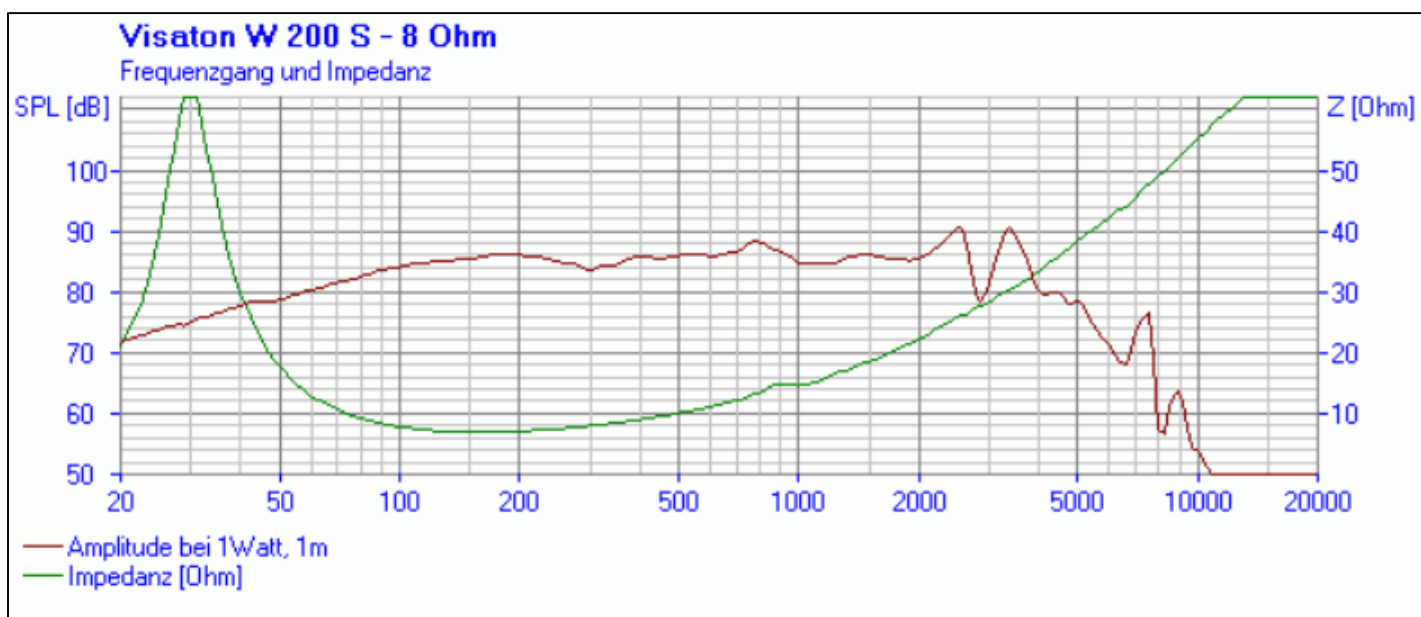
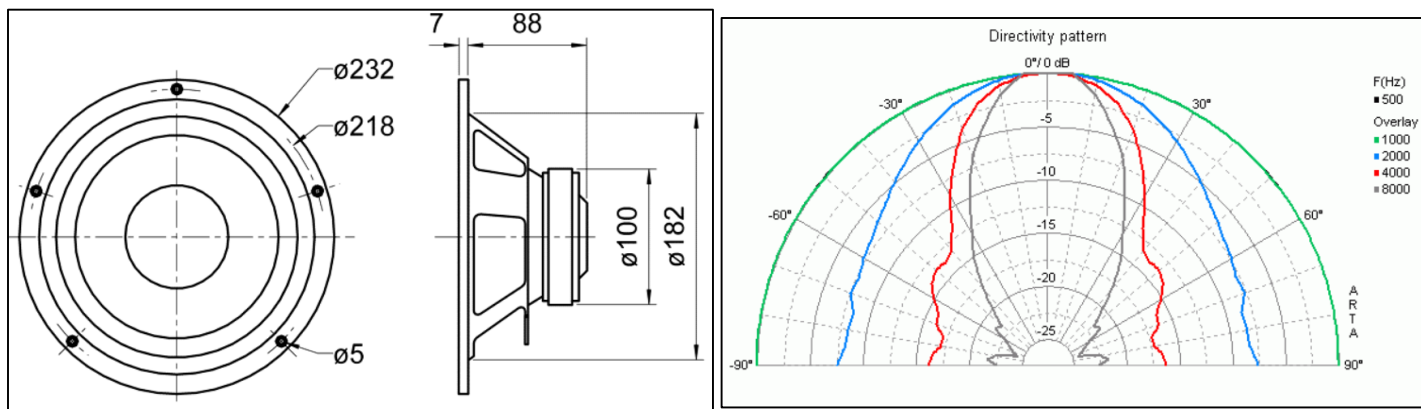


W 200 S - 8 Ohm



20 cm (8") HiFi woofer with strong drive, extended rear pole plate and 35 mm voice-coil for high power handling. Elastic rubber surround and coated paper cone.



Technical Data

Rated power	75 W
Maximum power	115 W
Nominal impedance Z	8 Ohm
Frequency response	fu–6000 Hz
(fu: Lower cut-off frequency depending on cabinet)	.
Mean sound pressure level	88 dB (1 W/1 m)
Opening angle (-6 dB)	48°/4000 Hz
Excursion limit	+/-10 mm
Resonance frequency fs	30 Hz
Magnetic induction	1.1 T
Magnetic flux	600 μWb
Height of front pole-plate	5 mm
Voice coil diameter	35 mm
Height of winding	12 mm
Cutout diameter	184 mm
Net weight	1.5 kg
D.C. resistance Rdc	6.0 Ohm
Mechanical Q factor Qms	3.59
Electrical Q factor Qes	0.36
Total Q factor Qts	0.33
Equivalent volume Vas	70 l
Effective piston area Sd	214 cm²
Dynamically moved mass Mms	26 g
Force factor Bxl	9.0 Tm
Inductance of the voice coil L	2.2 mH

Recommended cabinets

Volume/Principle	BR-Channel	fb	fc/QTC
15 l/closed	.	.	72 Hz/0,75
20 l/bass reflex	BR 19.24 (length 14 cm)	45 Hz	.
30 l/bass reflex	BR 19.24 (length 11 cm)	39 Hz	.
50 l/bass reflex	BR 15.34 (length 13 cm)	33 Hz	.