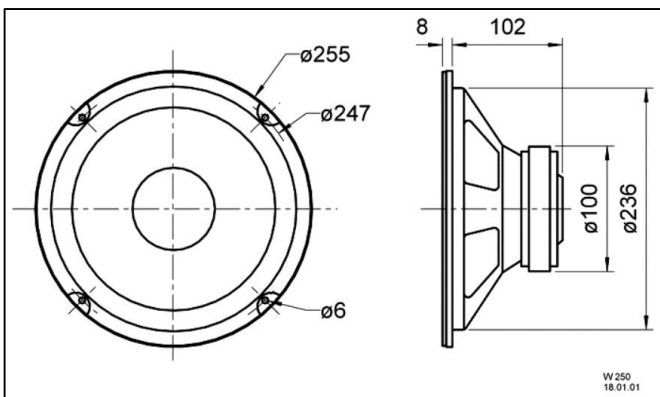


W 250 - 8 Ohm



25 cm (10") woofer with air-dried cone and cone reinforcement. Front or rear mounting possible. Very good price/performance ratio and high power handling.



Recommended cabinets

Volume/Principle	BR-Channel	fb
30 l/bass reflex	BR 15.34 (11 cm lang)	46 Hz
50 l/bass reflex	BR 15.34 (9 cm lang)	38 Hz
70 l/bass reflex	BR 15.34 (8 cm lang)	38 Hz

Visaton W 250

Frequenzgang und Impedanz



Technical Data

Rated power	90 W
Maximum power	130 W
Nominal impedance Z	8 Ohm
Frequency response	f_u -6000 Hz
(f_u : Lower cut-off frequency depending on cabinet)	.
Mean sound pressure level	90 dB (1 W/1 m)
Excursion limit	+/-10 mm
Resonance frequency f_s	45 Hz
Magnetic induction	1.0 T
Magnetic flux	660 μ Wb
Height of front pole-plate	6 mm
Voice coil diameter	35 mm
Height of winding	12 mm
Cutout diameter	236 mm
Net weight	1.5 kg
D.C. resistance R_{dc}	6.8 Ohm
Mechanical Q factor Q_{ms}	3.57
Electrical Q factor Q_{es}	1.00
Total Q factor Q_{ts}	0.78
Equivalent volume V_{as}	135 l
Effective piston area S_d	360 cm ²
Dynamically moved mass M_{ms}	27 g
Force factor B_{xl}	6.4 Tm
Inductance of the voice coil L	1.1 mH