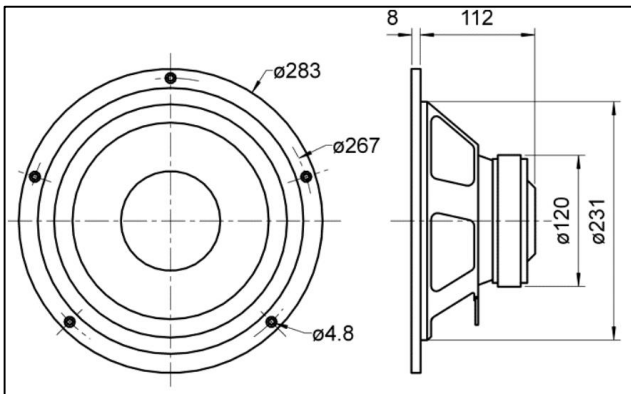


W 250 S - 4 Ohm



25 cm (10") HiFi woofer with strong drive, extended rear pole plate and 38 mm voice-coil for high power handling. Elastic rubber surround, coated paper cone and magnet vent.

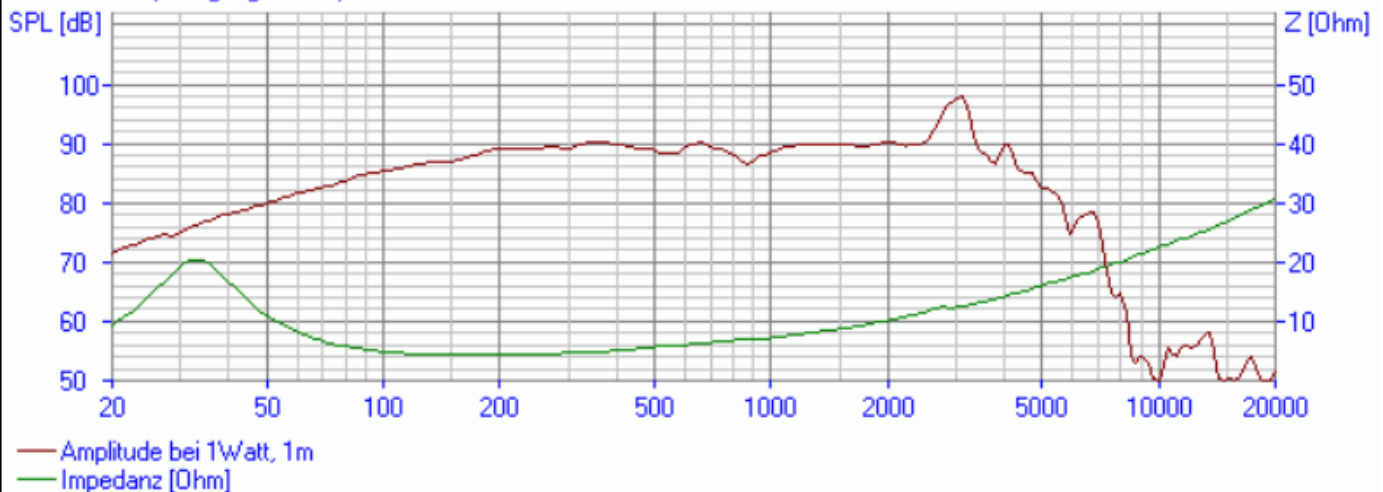


Recommended cabinets

Volume/Principle	BR-Channel	fb
50 l/bass reflex	2 x BR 15.34	43 Hz
70 l/bass reflex	2 x BR 15.34	39 Hz
100 l/bass reflex	2 x BR 15.34 (length 10 cm)	34 Hz

Visaton W 250 S - 4 Ohm

Frequenzgang und Impedanz



Technical Data

Rated power	100 W
Maximum power	150 W
Nominal impedance Z	4 Ohm
Frequency response	fu–5500 Hz
(fu: Lower cut-off frequency depending on cabinet)	.
Mean sound pressure level	90 dB (1 W/1 m)
Excursion limit	+/-7 mm
Resonance frequency fs	33 Hz
Magnetic induction	1.0 T
Magnetic flux	835 μWb
Height of front pole-plate	7 mm
Voice coil diameter	38 mm
Height of winding	17 mm
Cutout diameter	233 mm
Net weight	3 kg
D.C. resistance Rdc	3.6 Ohm
Mechanical Q factor Qms	2.01
Electrical Q factor Qes	0.43
Total Q factor Qts	0.35
Equivalent volume Vas	135 l
Effective piston area Sd	346 cm ²
Dynamically moved mass Mms	32 g
Force factor Bxl	8.9 Tm
Inductance of the voice coil L	0.9 mH